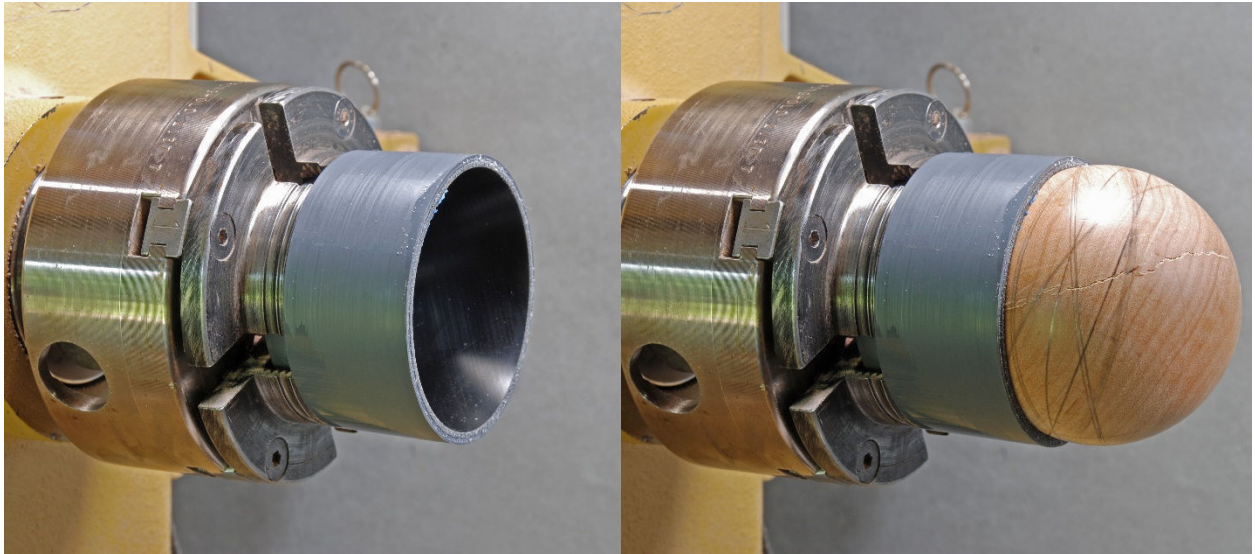
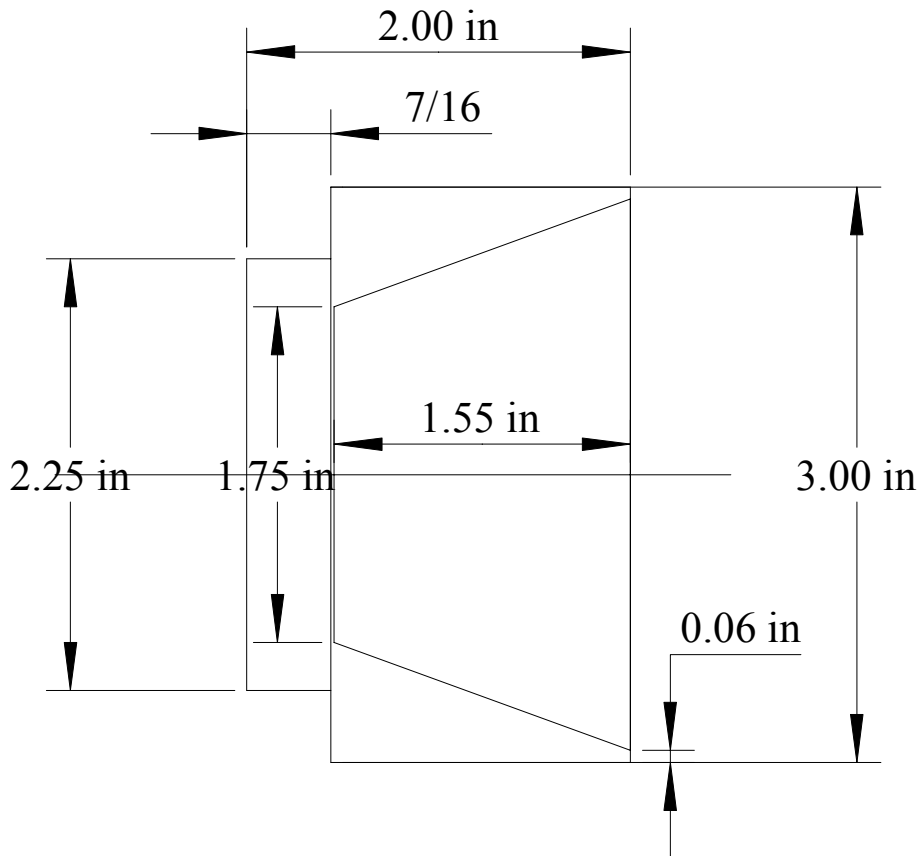


Sphere Chuck

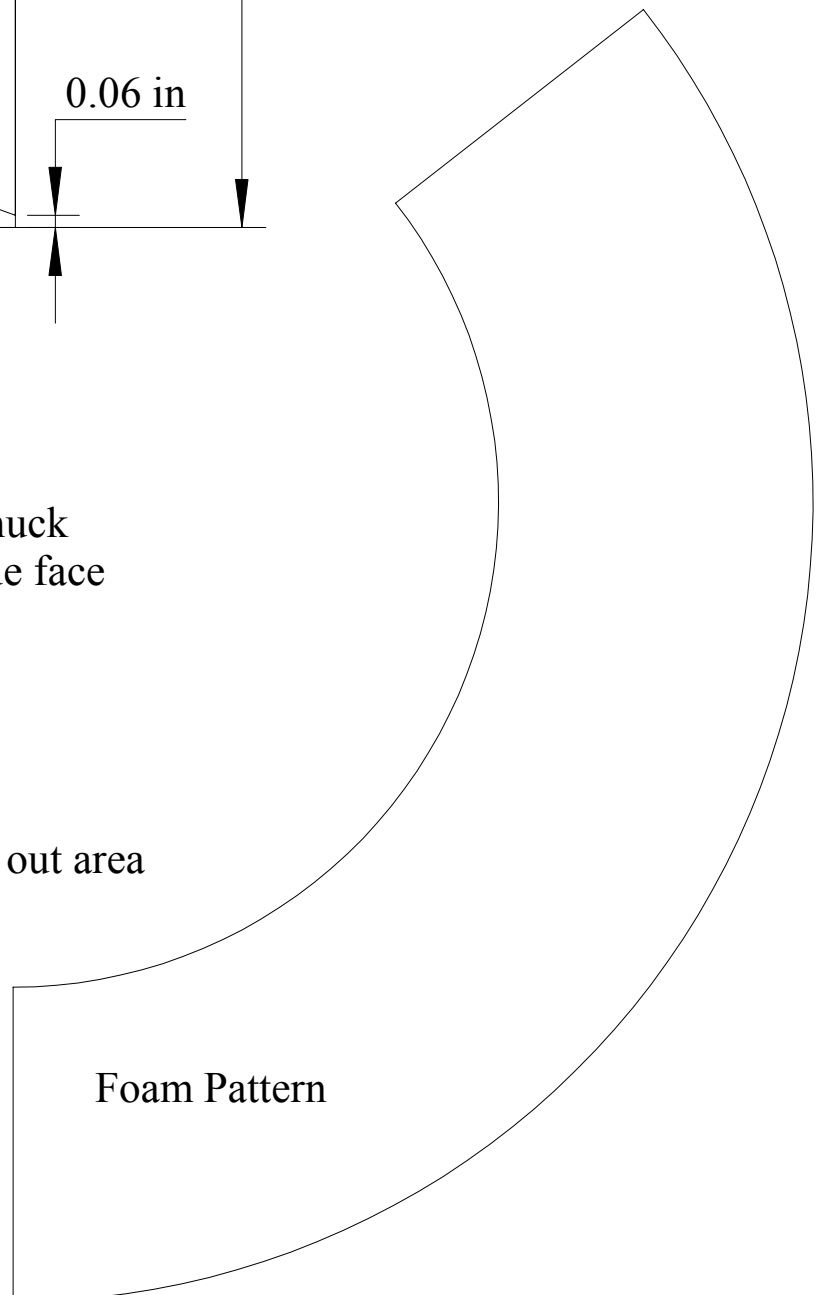


Sphere Chuck ~2.7 to 3.1" Diameter

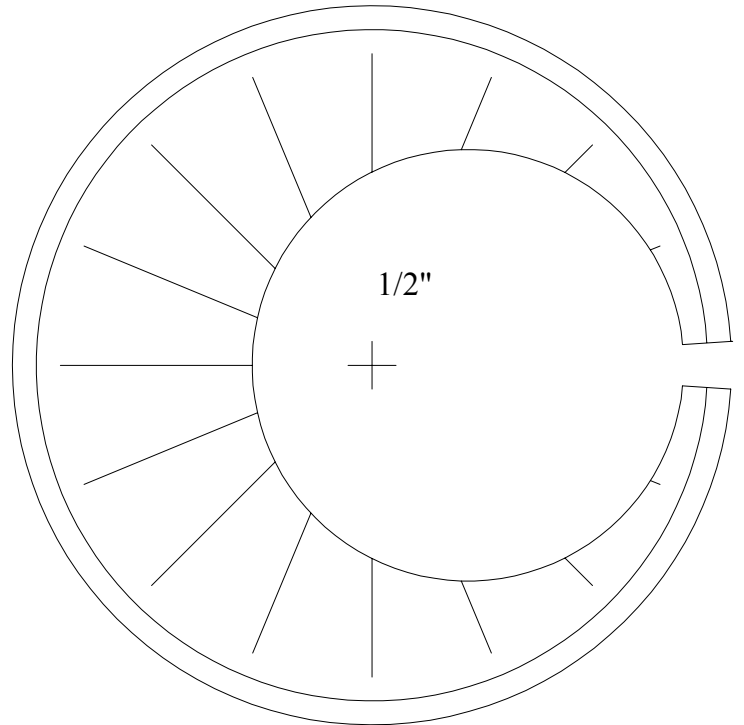
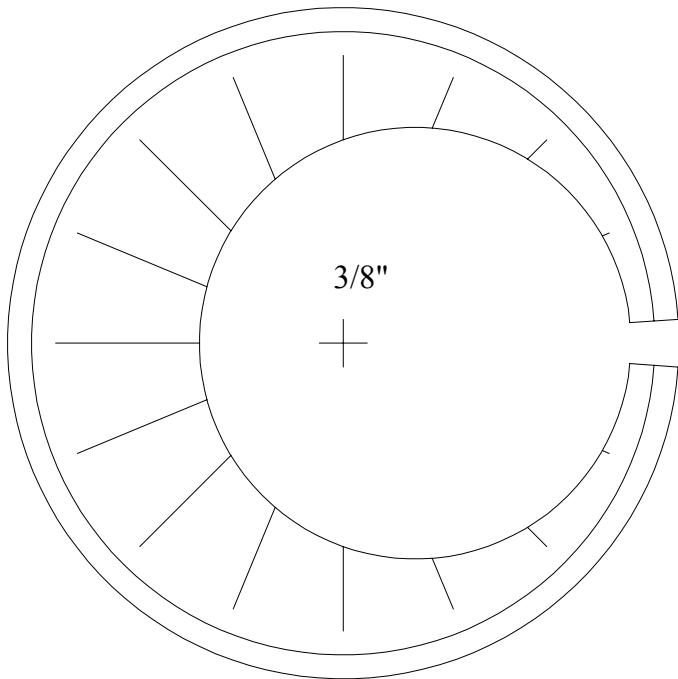
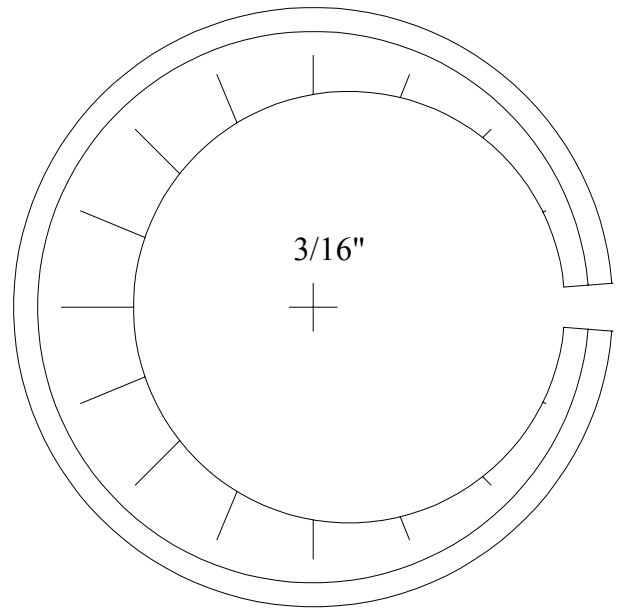
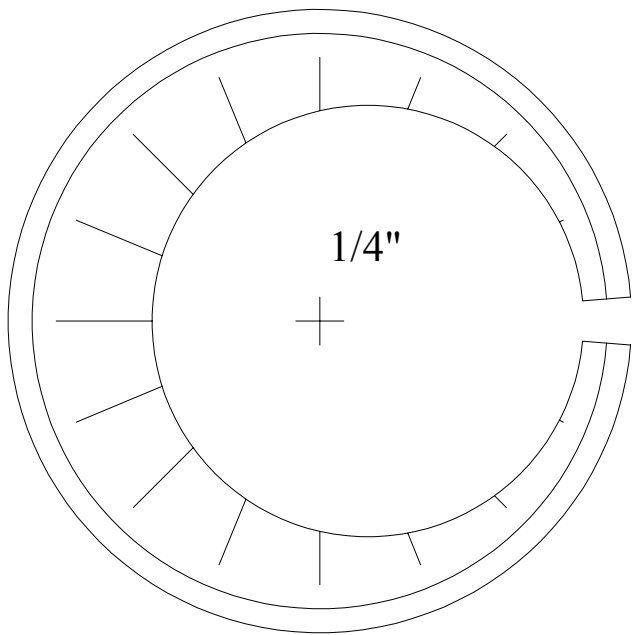


Sequence:

- Mount 2" long 3" PVC rod in chuck
- Slightly chamfer corners & true face
- Reverse.
- Turn tenon
- Reverse
- Drill 1.55" deep with 1.75" drill
- Mark 1/16" inside rim
- Hollow between rim and drilled out area
- Line with craft foam



Sphere Chuck Eccentric Adaptor



Starting with 3/4" plywood, rough out circle on bandsaw
Pin with tailstock center at cross, true rim and cut tenon for chuck jaws <1/2" deep
Reverse in chuck, trim flange to <1/8" thick
Bandsaw inner circle and slots

