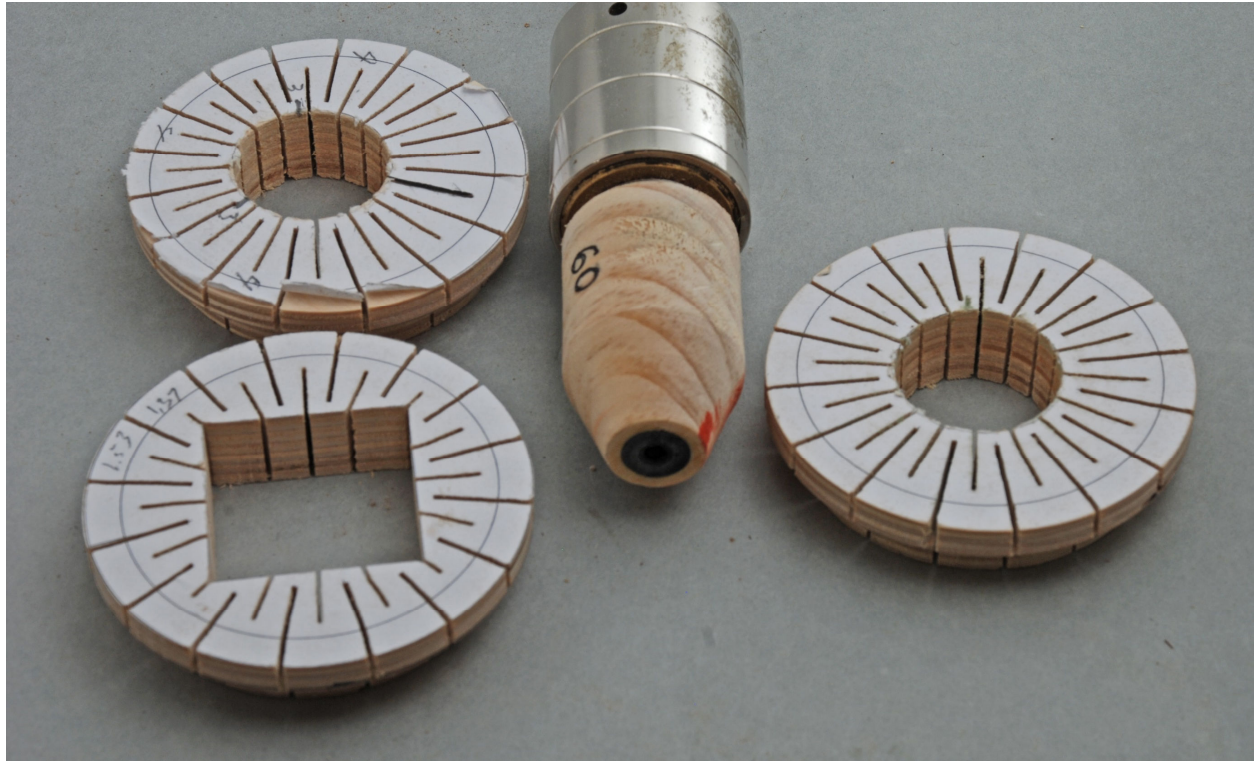
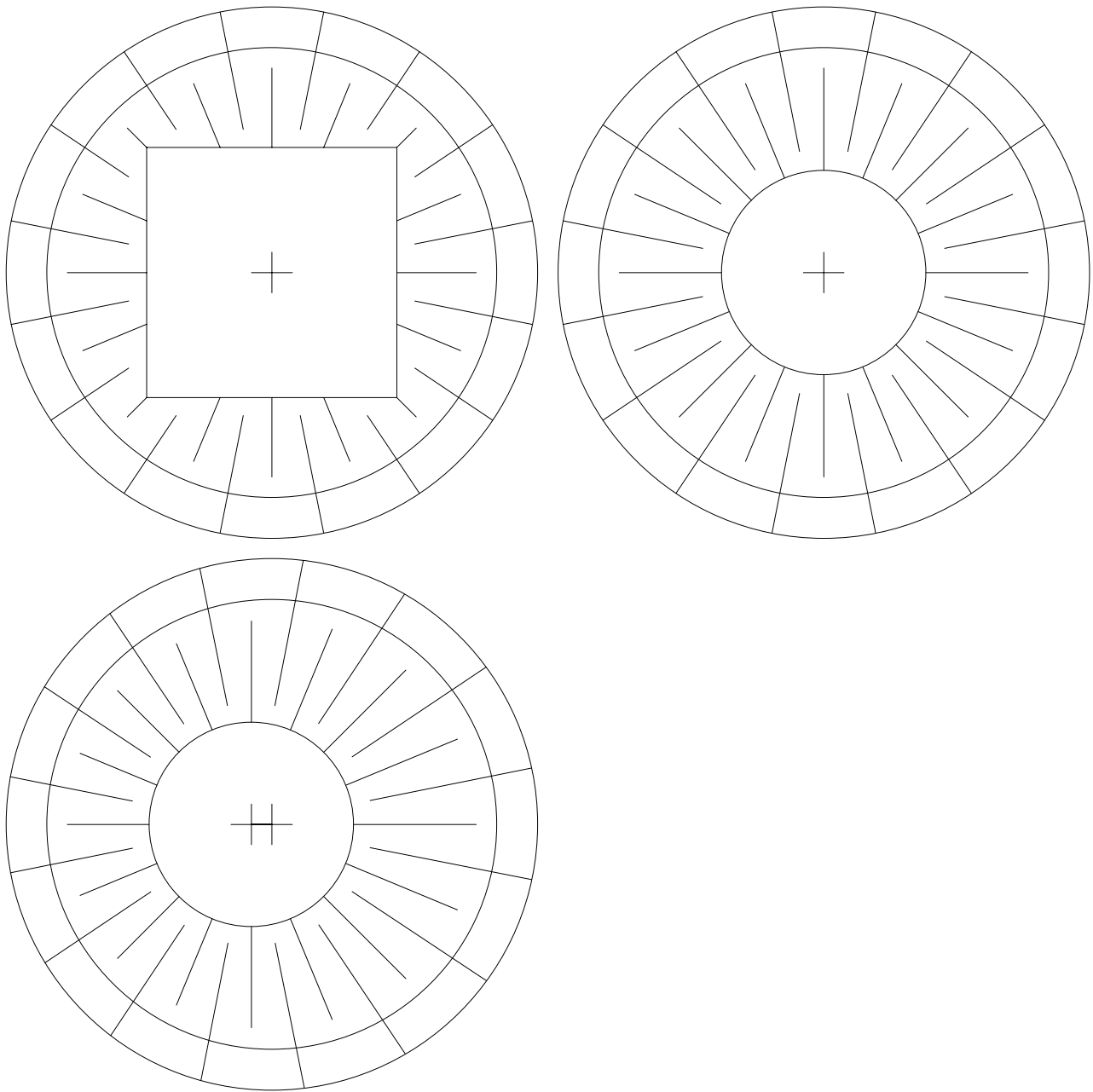


# Eccentric Tree Jigs

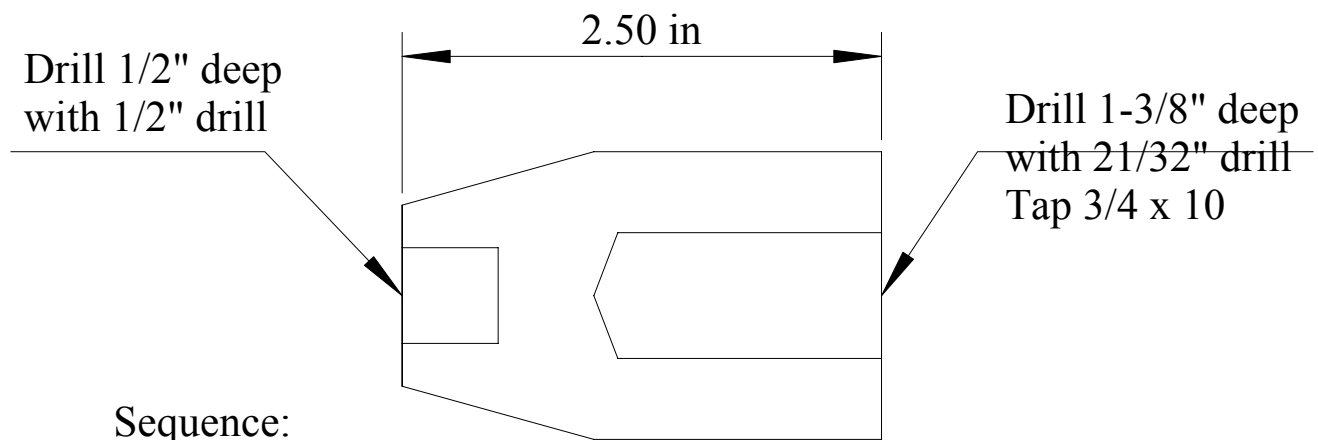




Print out & glue to 3/4 Plywood (Baltic Birch preferred)

Follow sequence at:

<http://www.davidreedsmith.com/Articles/ColletAdaptor/ColletAdaptor.htm>



Sequence:

Mount 2-1/2" long stock in chuck in faceplate orientation

Rough to round with bowl gouge

Drill 1-3/8" deep with 21/32" drill

Tap with 3/4" x 10 tap.

Remove from chuck, screw onto Tailstock Center

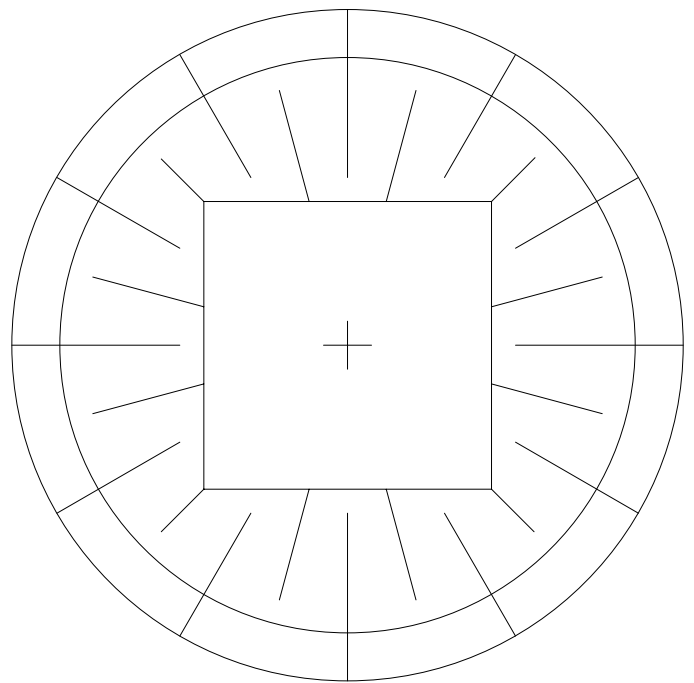
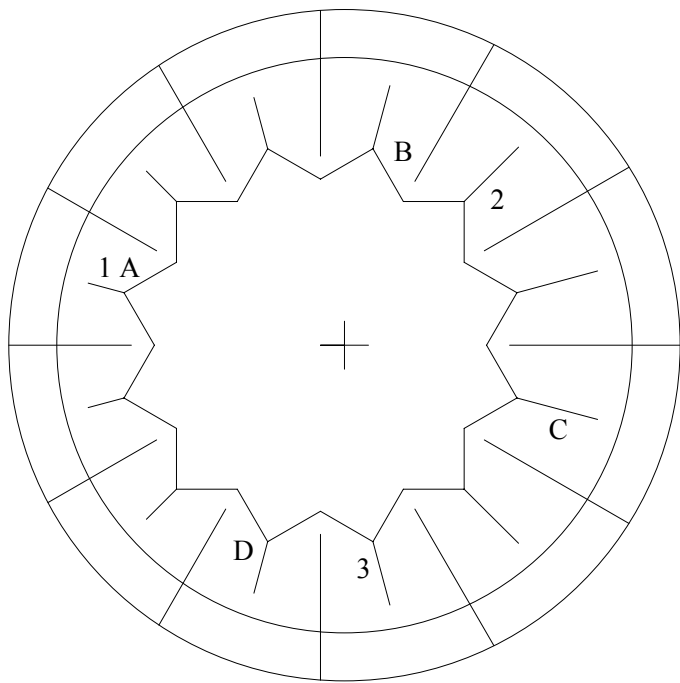
Lock center, install in headstock

Retrue, then drill 1/2" deep with 1/2" Forstner bit

Glue in 1/2" urethane rod with CA glue.

Drill 1/8" hole in center of urethane rod.

Taper nose.



12 point eccentric collet lets you keep a square base and do 3 or 4 equally spaced eccentric mountings.

Mark a corner of base, mount marked corner at 1, 2 & 3 for three equally spaced mountings. Mount marker corner at A, B, C & D for four equally spaced mountings.