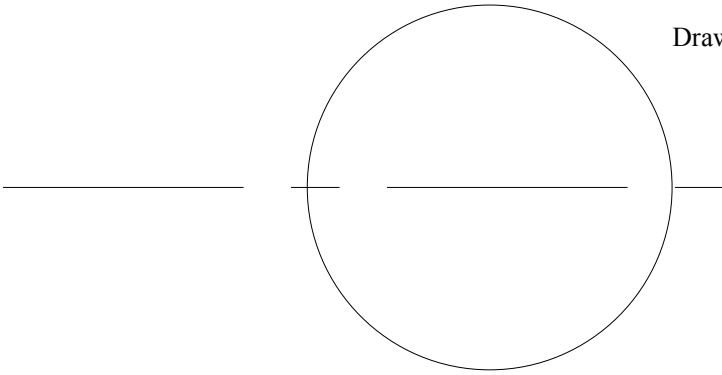
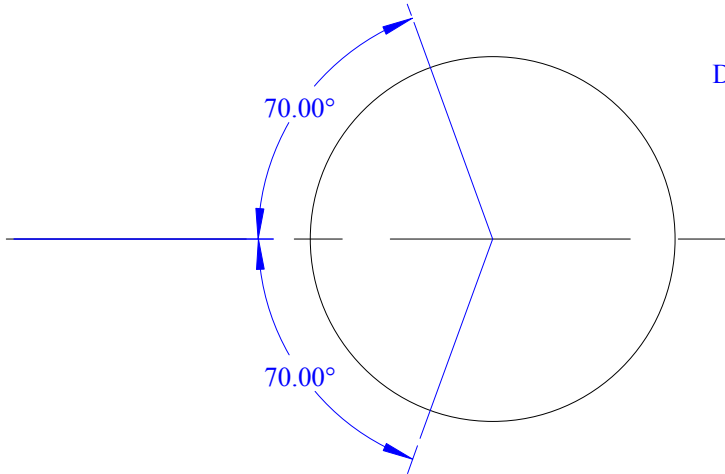


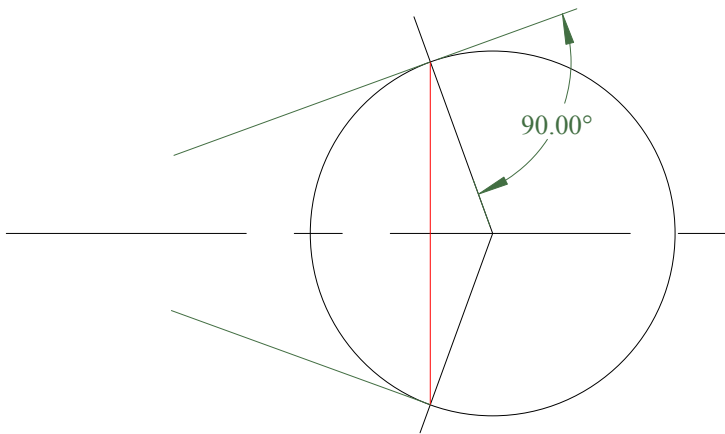
Draw maximum size sphere & center line



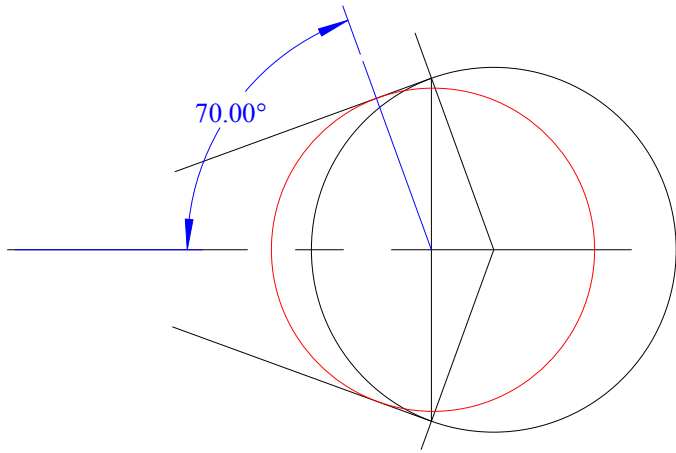
Draw lines from center 70° from center line



Draw lines for inner walls at intersection of circle and lines 90° to lines (tangent to circle).

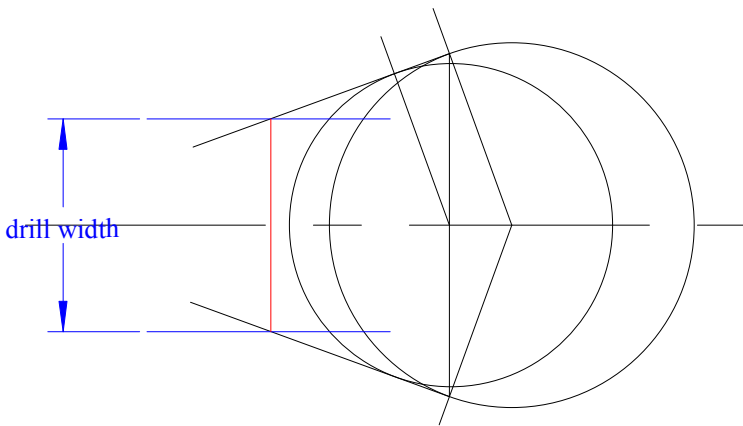


Draw front chuck line from intersections of lines and circle.



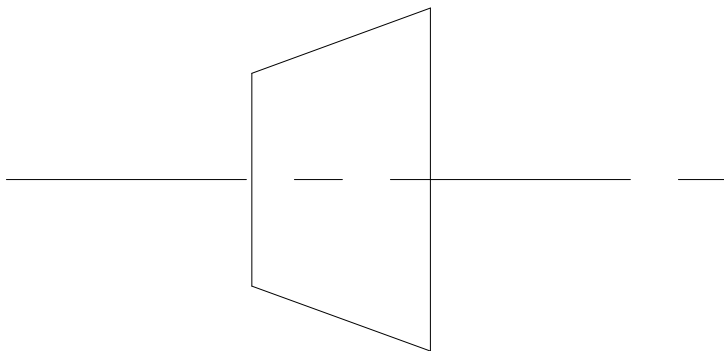
Draw line from intersection of center line and front chuck line 70° to center line

Draw minimum sphere circle: center intersection of front wall & center line, radius intersection of inner wall and 70° line.



Find intersection of double line separated by a drill width and inner wall lines past minimum sphere circle

Draw recess wall line from intersections.



Erase planning lines.

